

International Diversified Marketing, Inc.

1380 E. Edinger Avenue • Santa Ana • CA • 92705 • 714.550.4971 • FAX: 714.550.4973
Email: idm@idmnow.com • www.idmnow.com

Control-A-Flow®

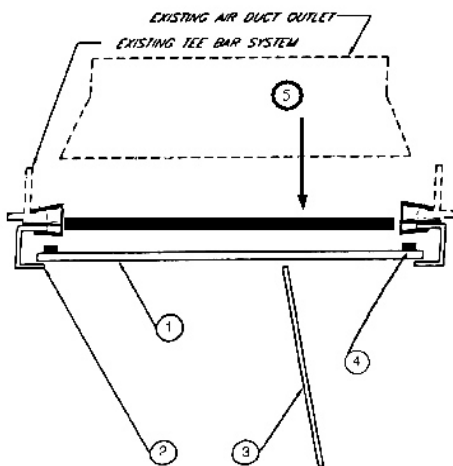
Draft Eliminator with Anti-microbial Filter

Installation Instructions

- 1) Use a stable ladder to stand on for the simple installation.
- 2) Determine which direction you want the panels to open and close.
- 3) While holding the rail at an angle next to the T-Bar, fit the corner of the clip onto the T-bar lip. Next, push the rest of the clip and rail onto the T-bar. Repeat for the second rail.
- 4) The filter fits into the brackets just below the top of the clips. One end of the filter has a plastic cap. **INSERT THE OPPOSITE END OF THE FILTER FIRST!** With the tight weave or “downstream” words facing the floor, place one filter into the bracket of one rail at one end of the bracket. The capped end has some excess trim, which can be held down with the ring fingers while flexing the wire filter frame towards the floor, allowing the cap to fit into the opposite bracket. Once in the bracket, the non-capped side of the filter should lay flat along the length of the bracket. Repeat for the second filter. Push the two filters together so they are centered to the diffuser, with the outside edges resting on the T-Bar. **IMPORTANT:** The filter frame should snugly fit against the T-bar and little or no air should be passing between the diffuser and the filter, ensuring filter efficiency. Run your fingers along the diffuser and filter to feel if air is flowing between them. The frame is pliable, so with the tight weave side facing the floor, bend the frame over your knee or chest, putting a ¼" to ½" bow in the center of the frame. (The top of the bow will be facing the ceiling.) Follow the above instructions to install the filters.
- 5) Each panel needs 2 self-adhesive silicone pads (enclosed) placed on the non-printed side at the very end of the panel, directly over the metal rod inside the panel.
- 6) With the pads facing up, put 1 panel into a rail slot, close to the end of a rail. Flex the opposite rail outwardly and fit the panel stop past the rail stop. Slide this panel to the other end and repeat.
- 7) By using the “Adjusting Wand” you can now safely adjust your *Control-A-Flow*® panels and rail over plates to create air flow in 2, 3, 4 or 5 directions, while safely standing on the floor.

Hard Ceiling Installation

- 1) Drill a 1/8" hole, 3" to 4" from the end of each rail but not through the clip.
- 2) Use ¾" to 1" sheet rock screws to secure into ceiling.
- 3) Use a panel to measure the distance between the rails, then secure the second rail.
- 4) Double stick carpet tape can also be used instead of screws. A 16" long strip along the clip of both rails and a 3" strip on the rail ends should be sufficient. Now start at step #4 above.



Parts List

- 1) 2 each translucent panels – 12" x 24.25"
- 2) 2 each 32" rails with clips, stops and cover plates attached
- 3) 1 each “Adjusting Wand”
- 4) 4 each self-adhesive panel stop pads
- 5) 2 each 12" x 24" replaceable filters with wire frame and end caps

Rail Color – Soft White