

International Diversified Marketing, Inc.

1380 E. Edinger Avenue • Santa Ana • CA • 714.550.4971 • FAX: 714.550.4973
Email: sales@idmnow.com • www.idmnow.com

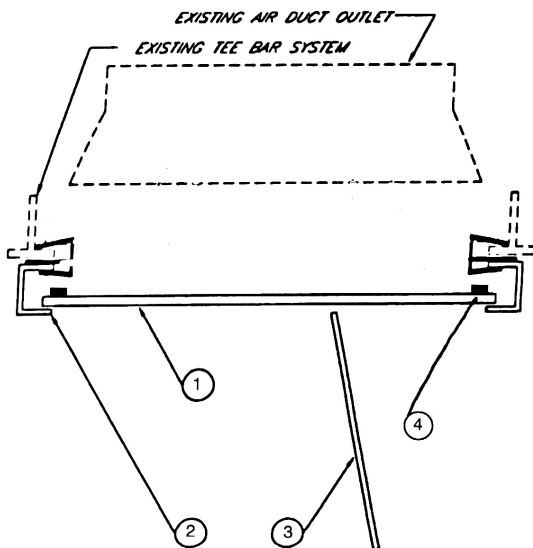
Control-A-Flow[®] Draft Eliminator

Installation Instructions

- 1) Use a stable ladder to stand on for the simple installation.
- 2) Determine which direction you want the panels to open and close.
- 3) While holding the rail at an angle next to the T-Bar, fit the corner of the clip onto the T-bar lip. Next, push the rest of the clip and rail onto the T-bar. Repeat for the second rail.
- 4) Each panel needs 2 self-adhesive silicone pads (enclosed) placed on the non- printed side at the very end of the panel, directly over the metal rod inside the panel.
- 5) With the pads facing up, put 1 panel into a rail slot, close to the end of a rail. Flex the opposite rail outwardly and fit the panel stop past the rail stop. Slide this panel to the other end and repeat.
- 6) By using the “Adjusting Wand” you can now safely adjust your *Control-A-Flow*[®] panels and rail cover plates to create air flow in 2, 3, 4 or 5 directions, while safely standing on the floor.

Hard Ceiling Installation

- 1) Drill a 1/8" hole, 3" to 4" from the end of each rail but not through the clip.
- 2) Use 3/4" to 1" sheet rock screws to secure into ceiling.
- 3) Use a panel to measure the distance between the rails, then secure the second rail.
- 4) Double stick carpet tape can also be used instead of screws. A 16" long strip along the clip of both rails and a 3" strip on the rail ends should be sufficient. Now start at step #4 above.



Parts List

- 1) 2 each translucent panels – 12" x 24.25"
- 2) 2 each 32" rails with clips, stops and cover plates attached
- 3) 1 each “Adjusting Wand”
- 4) 4 each self-adhesive panel stop pads

Rail Color – Soft White